

**PRODUCT CODE: SR16B**  
EXTENSION RING



**DESCRIPTION**

16mm Extension Ring

**FINISH**

Black Enamel

**MATERIAL**

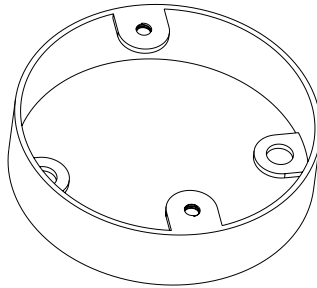
Steel

**PACKAGING**

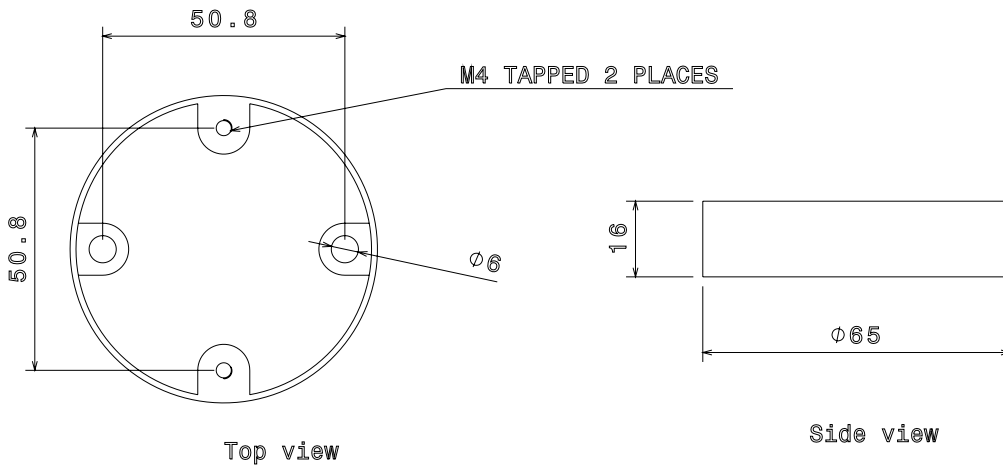
Packed in qty 50

**ADDITIONAL NOTES**

Conforms to BS EN61386-1



Isometric view



Top view

Side view